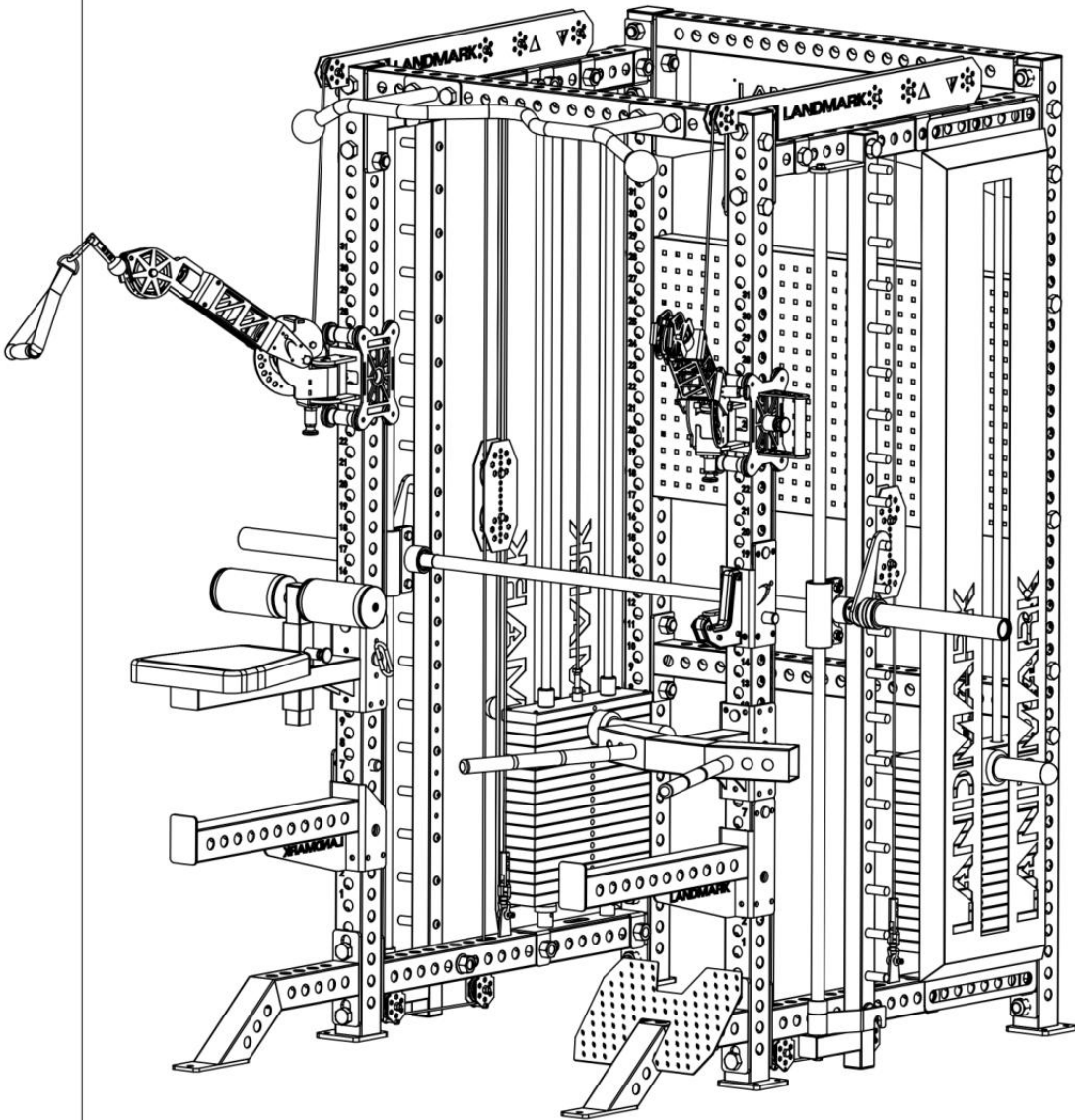


# Landmark LUXOR All-In-One Gym



Warning Tips: Please read all precautions and instructions in this manual before using this equipment

## **IMPORTANT SAFETY NOTICE**

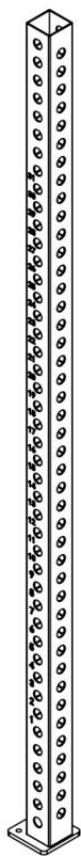
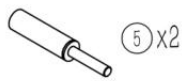
### **PRECAUTIONS**

This exercise machine is built for optimum safety. However, certain precautions apply whenever you operate a piece of exercise equipment. Be sure to read the entire manual before you assemble or operate your machine. In particular, note the following safety precautions:

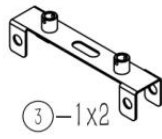
1. **Keep children and pets away from the machine at all times. DO NOT leave children unattended in the same room with the machine.**
2. Only one person at a time should use the machine.
3. If the user experiences dizziness, nausea, chest pain, or any other abnormal symptoms, STOP the workout at once. CONSULT A PHYSICIAN IMMEDIATELY.
4. Position the machine on a clear, leveled surface. DO NOT use the machine near water or outdoors.
5. Keep hands away from all moving parts.
6. Always wear appropriate workout clothing when exercising. DO NOT wear robes or other clothing that could become caught in the machine. Running or aerobic shoes are also required when using the machine.
7. Use the machine only for its intended use as described in this manual. DO NOT use attachments not recommended by the manufacturer.
8. Do not place any sharp object around the machine.
9. Disabled person should not use the machine without a qualified person or physician in attendance.
10. Before using the machine to exercise, always do stretching exercises to properly warm up.
11. Never operate the machine if the machine is not functioning properly.

**WARNING: BEFORE BEGINNING ANY EXERCISE PROGRAM, CONSULT YOUR PHYSICIAN. THIS IS ESPECIALLY IMPORTANT FOR INDIVIDUALS OVER THE AGE OF 35 OR PERSONS WITH PRE-EXISTING HEALTH PROBLEMS. READ ALL INSTRUCTIONS BEFORE USING ANY FITNESS EQUIPMENT. WE ASSUME NO RESPONSIBILITY FOR PERSONAL INJURY OR PROPERTY DAMAGE SUSTAINED BY OR THROUGH THE USE OF THIS PRODUCT.**

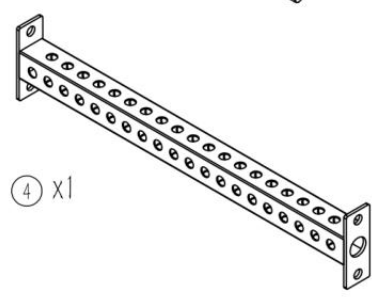
**SAVE THESE INSTRUCTIONS.**



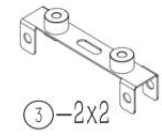
① X4



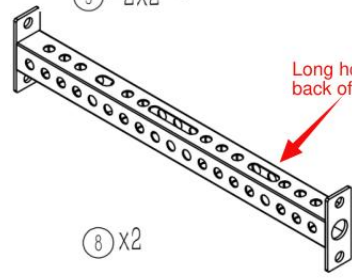
③ -1x2



④ X1

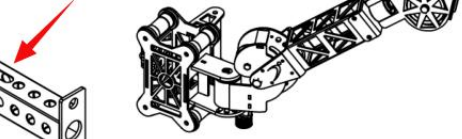


③ -2x2

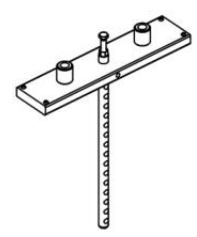


⑧ X2

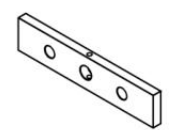
Long hole towards back of machine



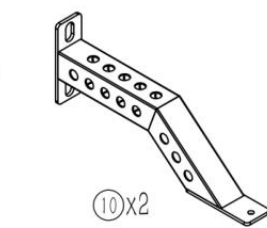
⑨ X2



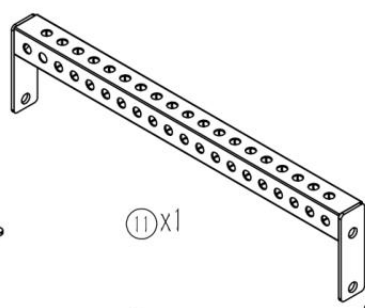
top weight stack x2



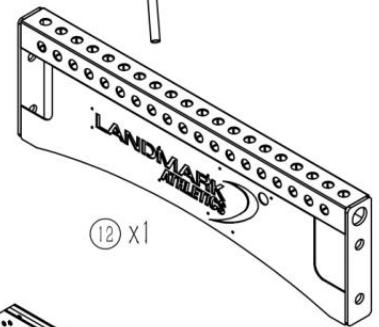
Weight Stack x34



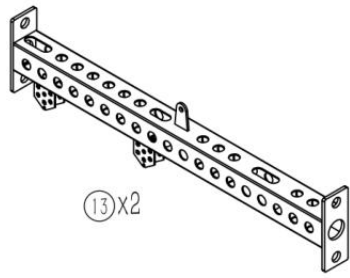
⑩ X2



⑪ X1



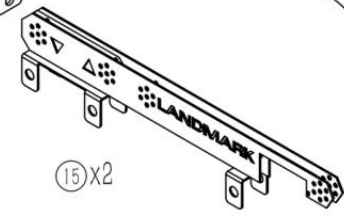
⑫ X1



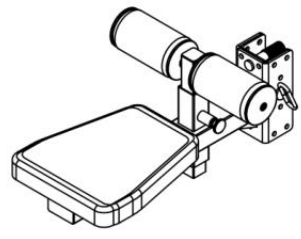
⑬ X2



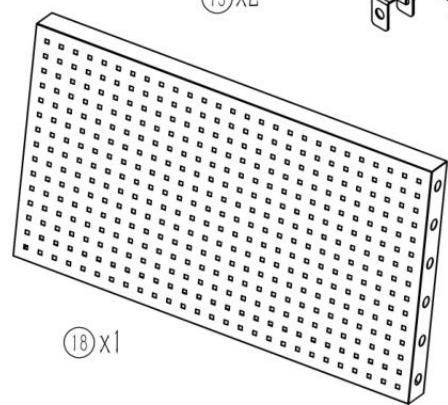
⑭ X2



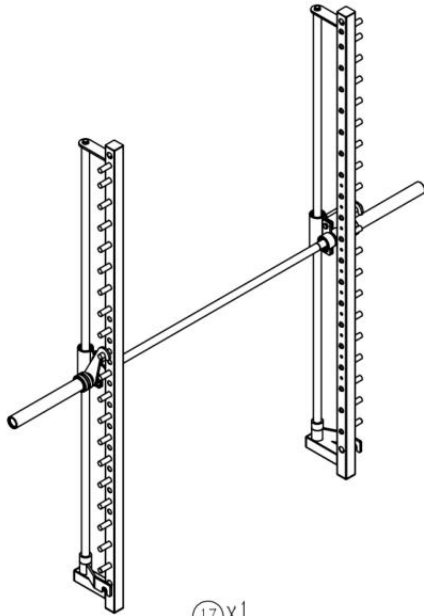
⑮ X2



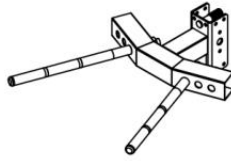
⑯ X1 Sold Separately



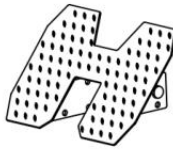
⑰ X1



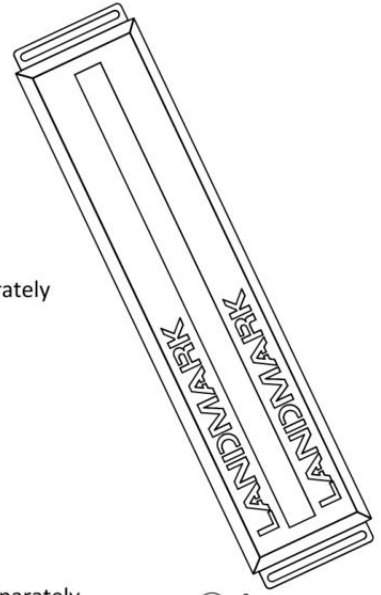
17 X1



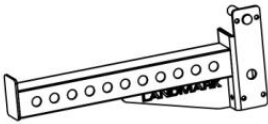
19 X1 Sold Separately



21 X1 Sold Separately



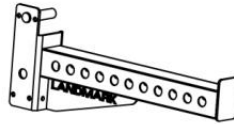
20 X2



22 X1 (Left Side)



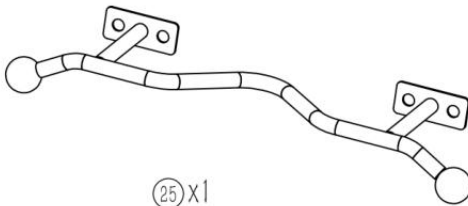
23 X1 (Left Side)



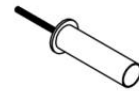
22 X1 (Right Side)



23 X1 (Right Side)



25 X1



26 X2



27 X4



28 X4



29 X4



30 X6



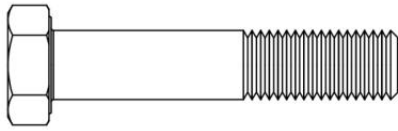
31 X14



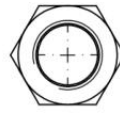
32 X4



33 X2



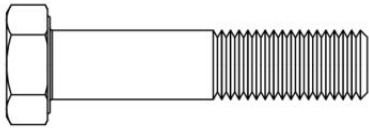
34) x4



36) x54



38) x16



35) x46



40) x8



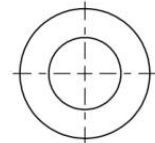
42) x32



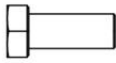
37) x16



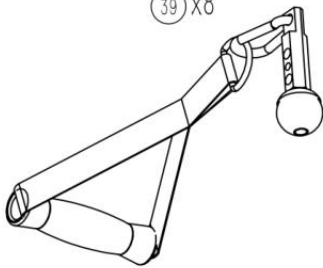
43) x4



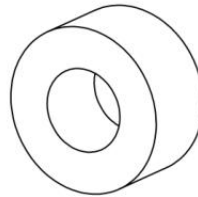
44) x108



39) x8



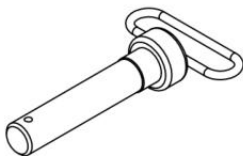
41) x2



46) x2



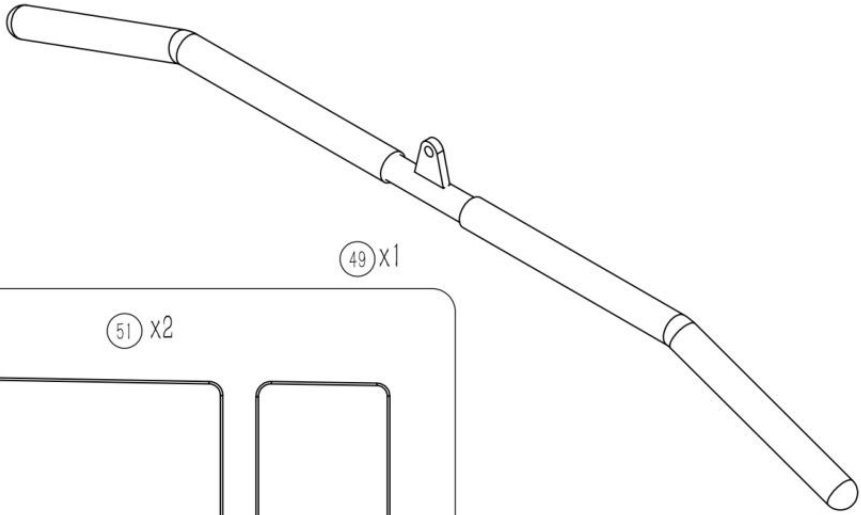
47) x2



48) x6

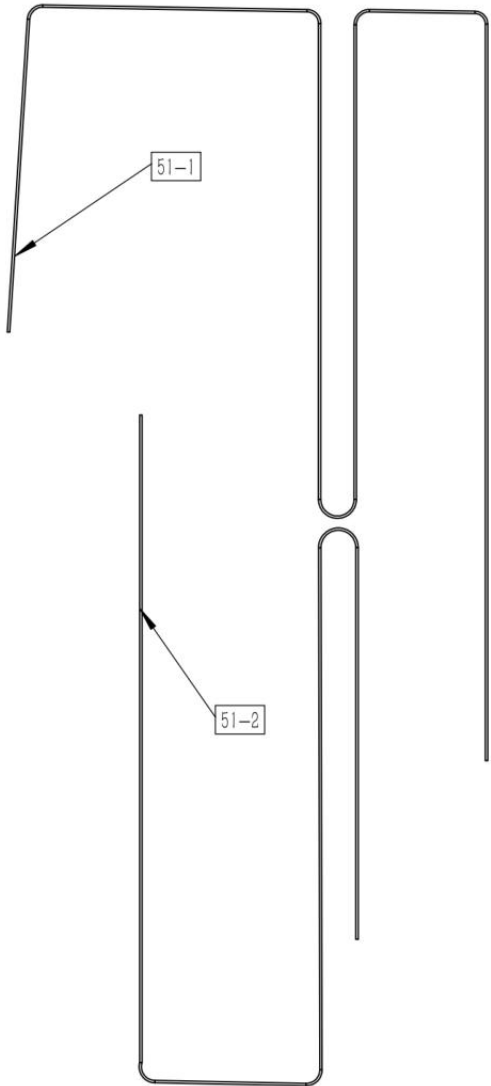


45) x4



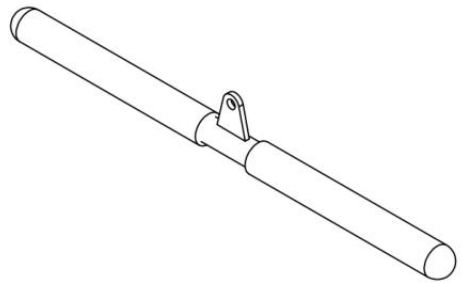
(49) X1

(51) X2



51-1

51-2



(50) X1



52 x1



53 x1



54 x1



55 x2



56 x1

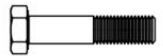


# Step 1

# Assembling Instruction



34 x4



35 x8



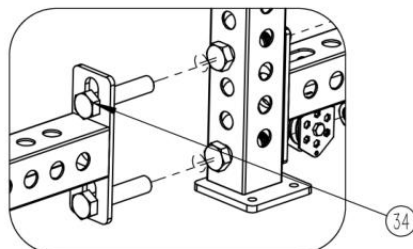
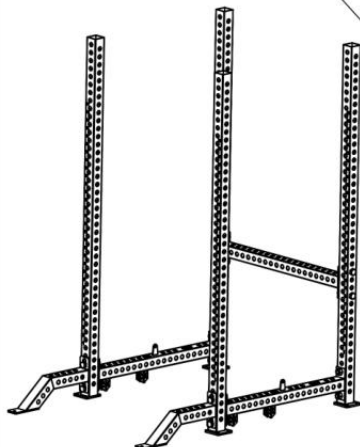
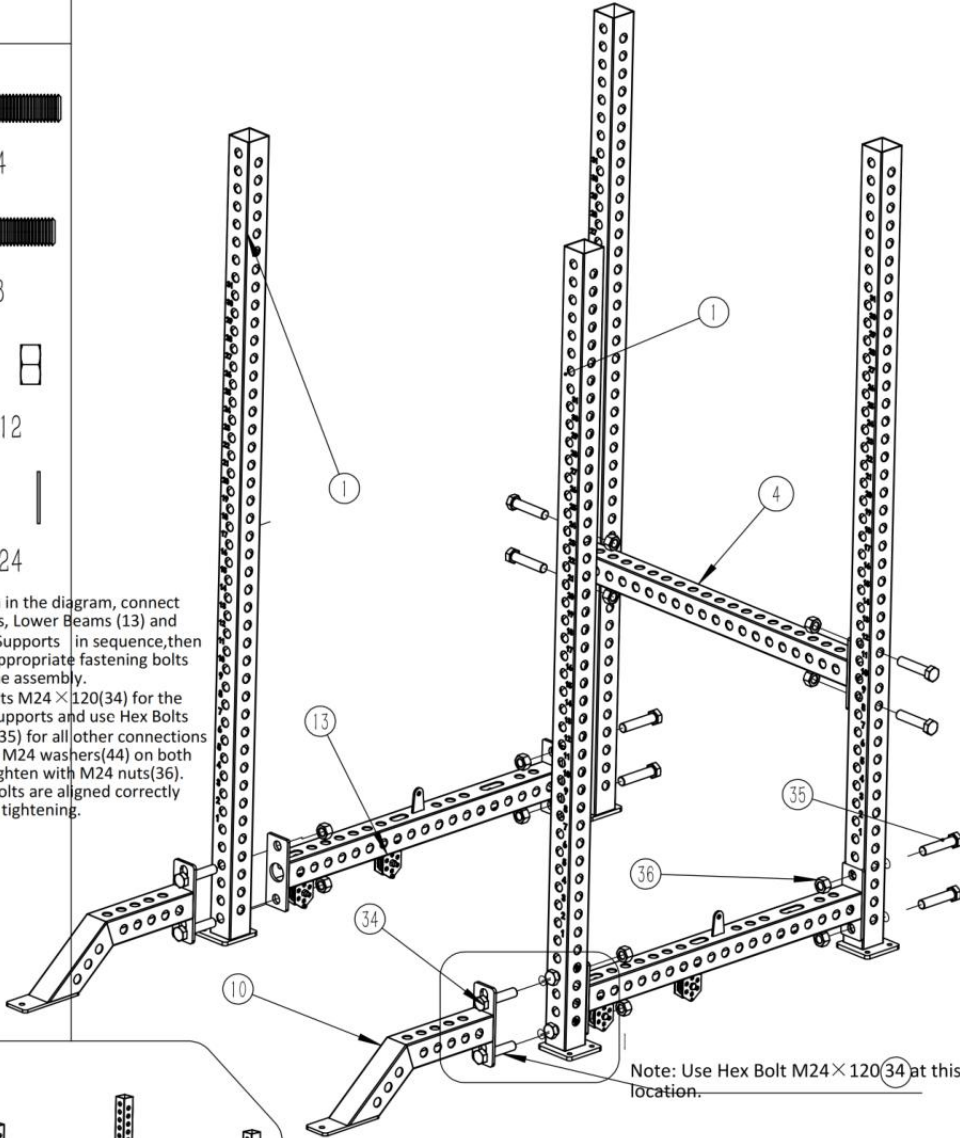
36 x12



44 x24

1. As shown in the diagram, connect the Uprights, Lower Beams (13) and Front Foot Supports in sequence, then insert the appropriate fastening bolts to secure the assembly.

Use Hex Bolts M24 x 120 (34) for the front foot supports and use Hex Bolts M24 x 110 (35) for all other connections, then insert M24 washers (44) on both sides and tighten with M24 nuts (36). Ensure all bolts are aligned correctly before fully tightening.



## Step 2



(35) x8

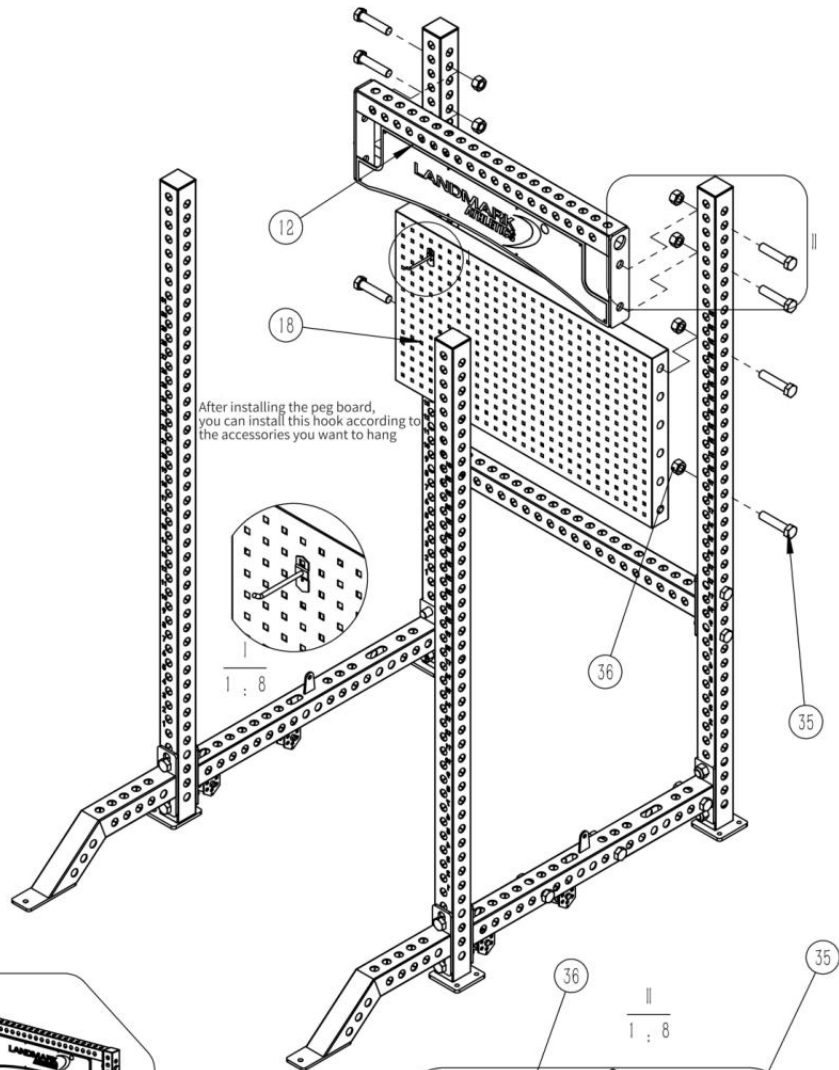


(36) x8

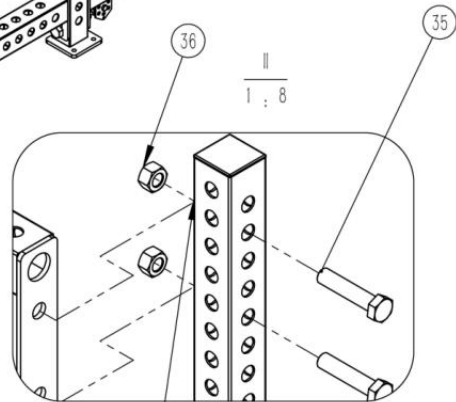
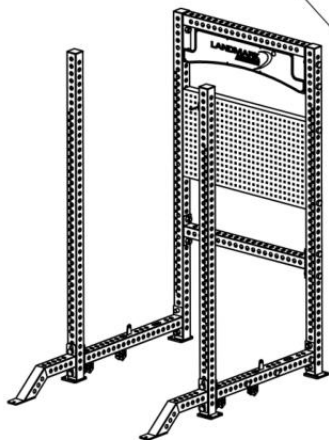
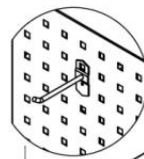


(44) x16

## Assembling Instruction



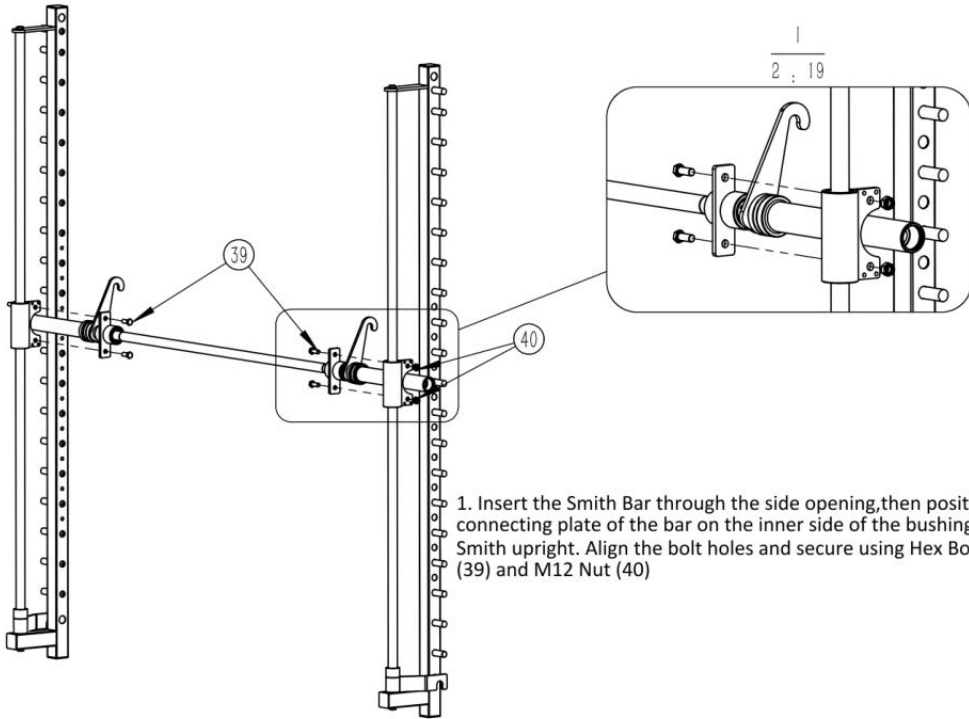
After installing the peg board, you can install this hook according to the accessories you want to hang.



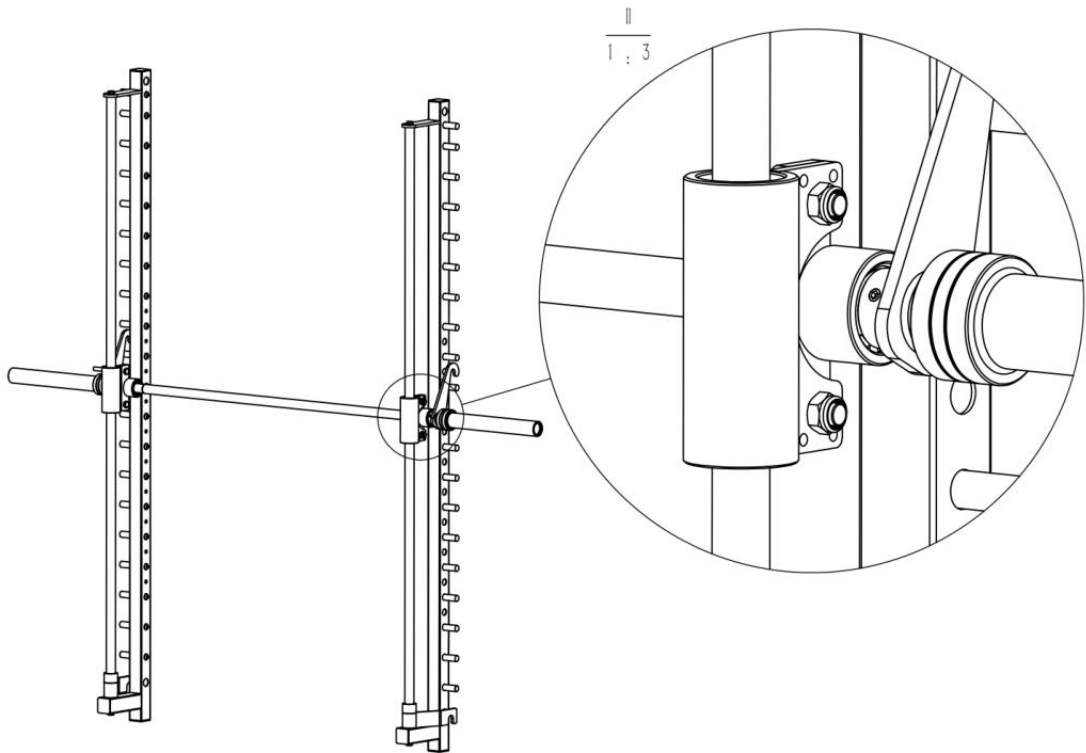
Note that the holes are aligned and the hex bolts are inserted. washers M24 (44) need to be inserted on both sides.

1. Logo panel (12) and peg board (18) are installed in the two side columns and hex bolt M24 x 110 (35) are inserted.

## Install the Smith Bar




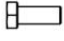




1. Insert the Smith Bar through the side opening, then position the connecting plate of the bar on the inner side of the bushing plate of the Smith upright. Align the bolt holes and secure using Hex Bolt M12×30 (39) and M12 Nut (40)

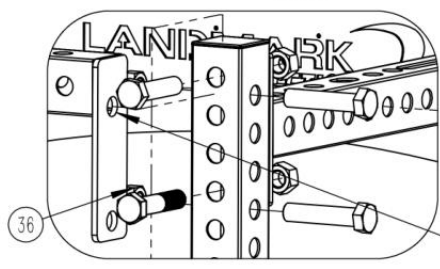
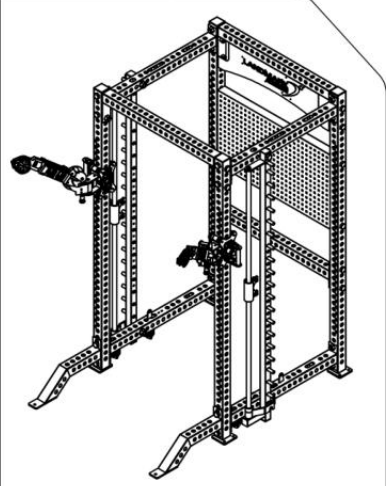
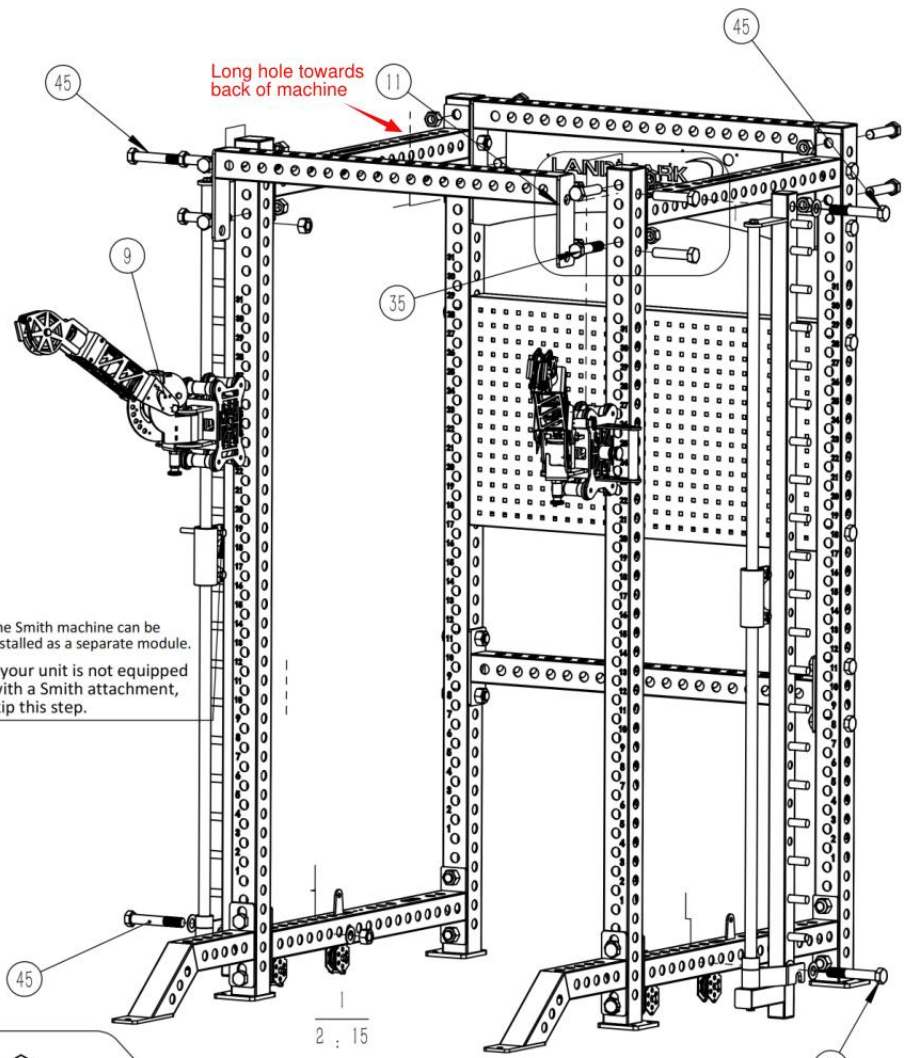


# Step 3

## Assembling Instruction

-  (35) x12
-  (36) x16
-  (44) x32
-  (39) x4
-  (40) x4
-  (45) x4

The Smith machine can be installed as a separate module.  
If your unit is not equipped with a Smith attachment, skip this step.



Note: Make sure all holes are properly aligned before tightening.

1. As shown in the diagram, first insert the Pivoting Arm into the upright, then install the Flat Top Beam (11) and insert Hex Bolts (35) from both sides to secure the assembly.
2. Install the Upper Beam, paying attention to the front and rear orientation.
3. Then place the Smith attachment onto the sixth mounting hole of the Lower Beam according to the orientation shown in the figure, and insert Hex Bolts M24x150 (45) from the top and bottom. Tighten with the corresponding nuts to secure the assembly.

# Step 4

# Assembling Instruction



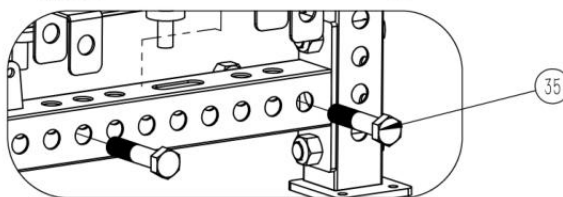
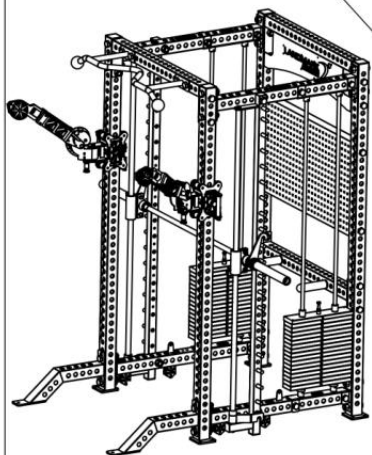
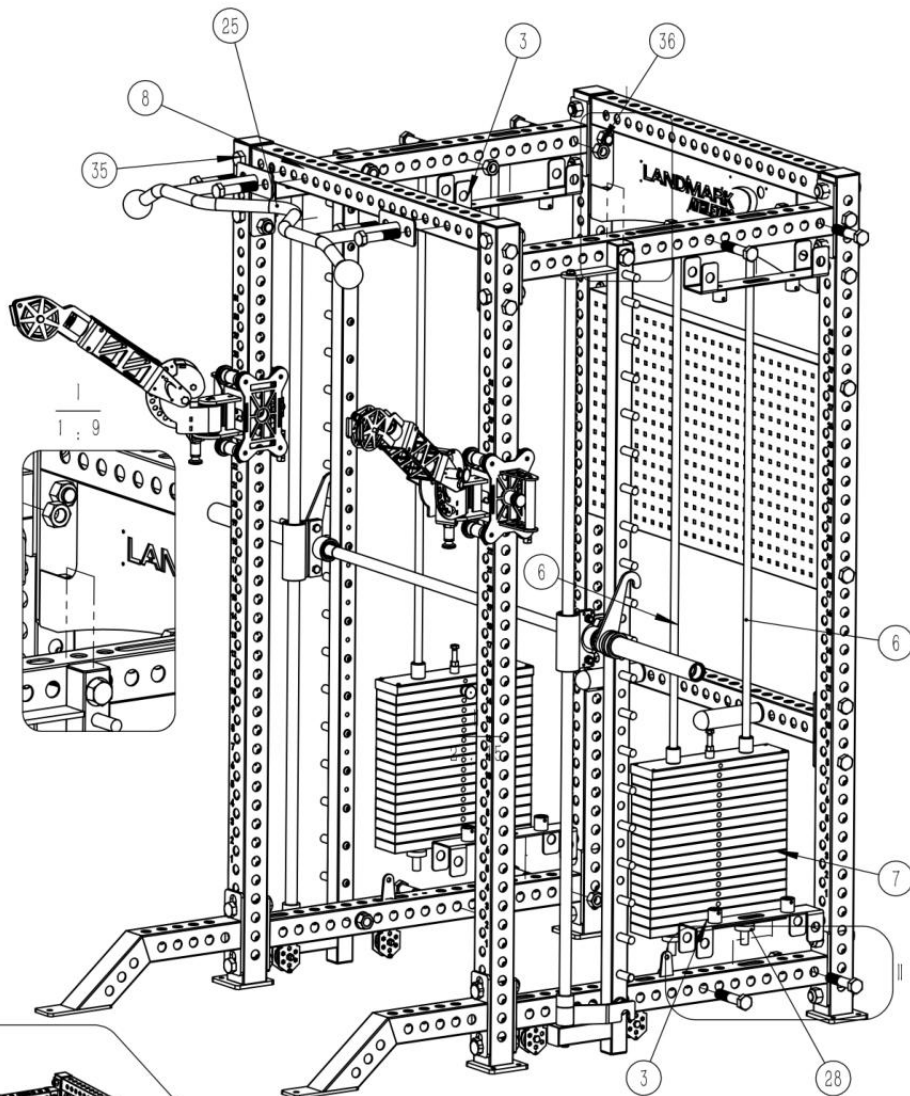
(35) x12



(36) x12



(44) x24



1. First, install the Lower Weight Stack Bracket (thick shaft version without set screws), then insert the Guide Rod. Place the Rubber Anti-Shock Pad (28), followed by the bottom weight plate.

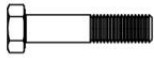
Warning: Install the weight plates one by one at a time, to prevent injury or equipment damage. Finally, install the top weight plate.

2. Then install the Upper Weight Stack Bracket (thin shaft with set screws), and Lift the Guide Rod and insert it into the bracket, Lightly tighten the set screws to hold the guide rods in place. (Final tightening will be done after installing the steel covers.)

3. Install the dual ball-head pull-up bar (25) as shown in the diagram and connect Hex Bolt M24 x 110 (35)

## Step 5

## Assembling Instruction



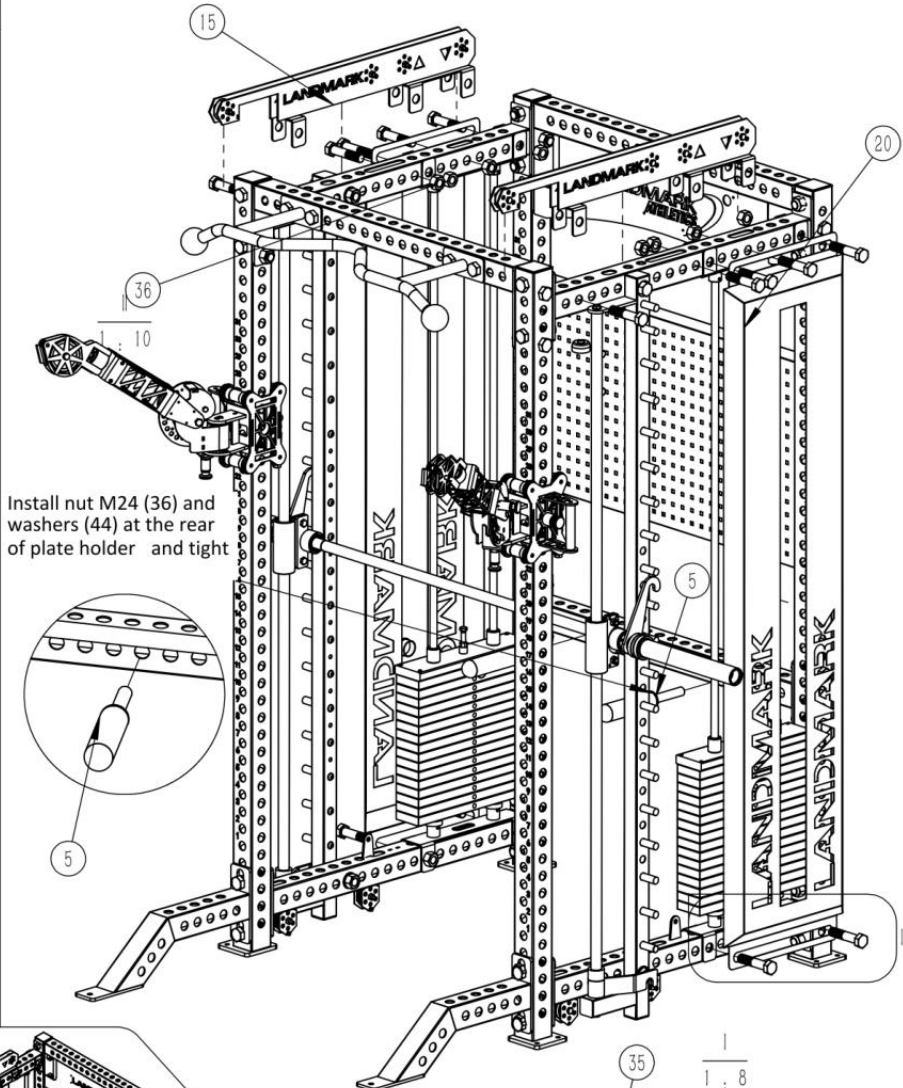
(35) X6



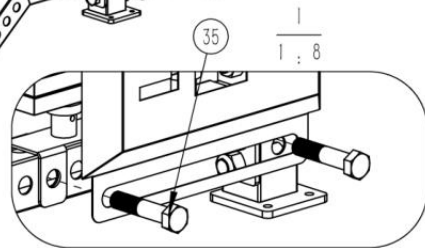
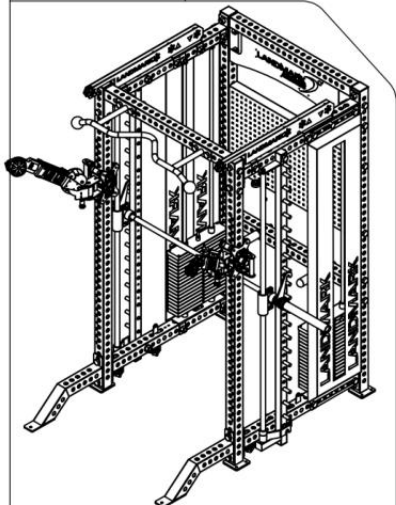
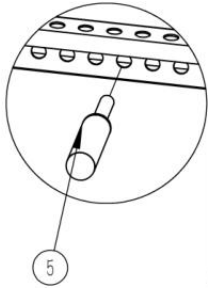
(36) X8



(44) X14



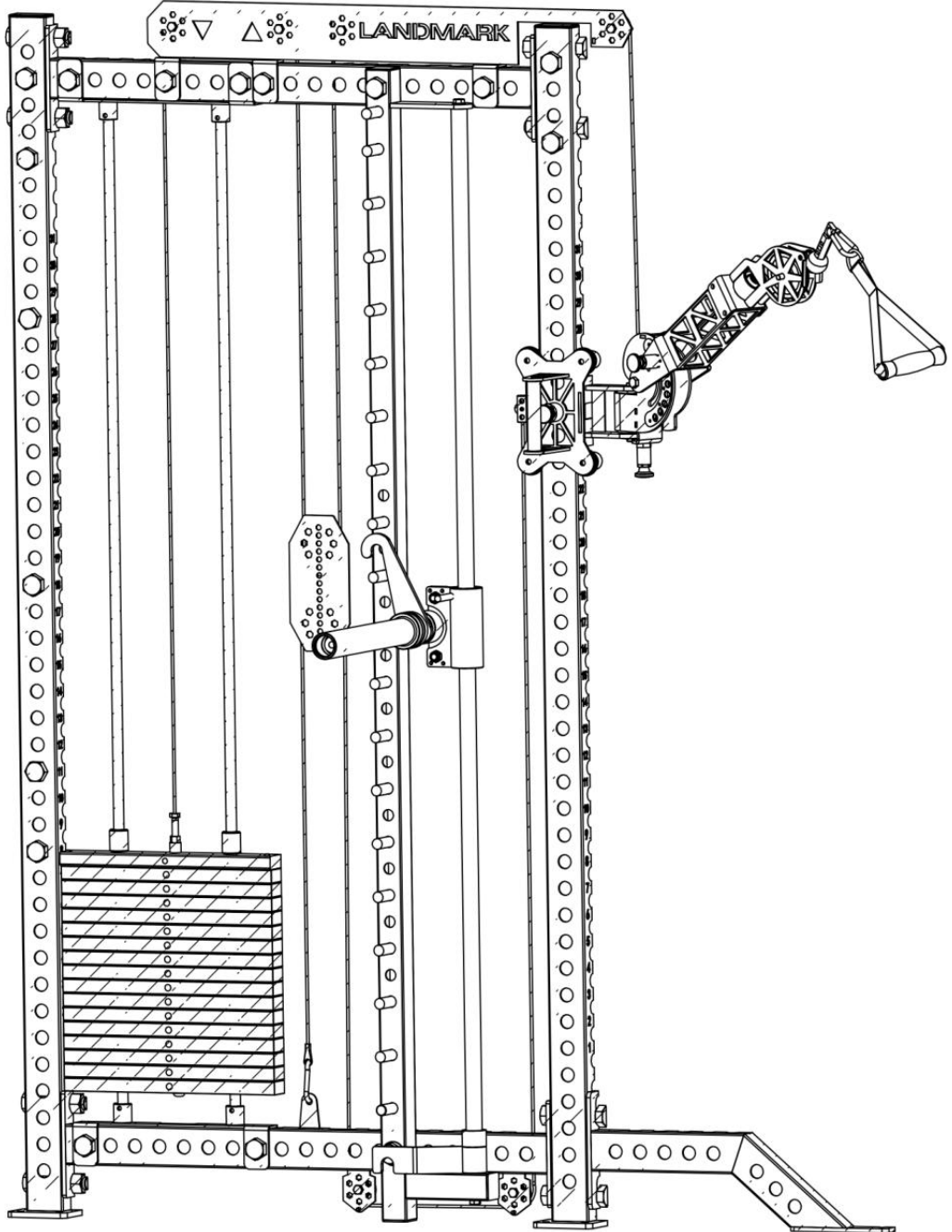
Install nut M24 (36) and washers (44) at the rear of plate holder and tight












1. Install the Upper Pulley Box(15) together with the Steel Covers(20),and need to install together,The steel covers and pulley box share the same mounting bolts,Use Hex Bolts M24×110(35) and tighten securely.












# Cable Routing Diagram












B-B












# PART LIST

Part Number	Name	PHOTO	QTY
1	SDFN-1 Uprights		4 pcs
2	75x75 Cover		4 pcs
3	SDFN-4 Upper and Lower Weight Stack Bracket		4 pcs
4	SDFN-10-1050 Beam		1pc
5	Plate Holder 01		2pcs
6	1900 Guide Rod		4 pcs
7	Weight Stack		2*18pcs
8	800 Upper Beam		2pcs
9	Pivoting Arm (left and right)		2pcs

10	Front Foot		2pcs
11	Flat Top Beam		1pc
12	Logo Panel		1pc
13	Lower Beam		2pcs
14	8 Shape Pulley		2pcs
15	SDFN-5 Big Pulley Box Assembly		2pcs
16	Lat Pulldown Seat		1 pc
17	Smith Machine Attachment		1 Pair
18	SDFN-8 Peg Board		1 pc
19	Dip Bar		1 pc
20	Steel Cover(universal for left and right)		2pcs

21	Foot Plate		1 pc
22	Safety Spotted Arm (Left and Right)		2pcs
23	J Hook (Left and Right)		2pcs
24	Split Pin		4pcs
25	Pull-up Bar		1pc
26	Weight Stack Adatper Pin with Nuts		2pcs
27	Weight Stack Adatper Pin		2pcs
28	Rubber Anti-Shock Pad		4pcs
29	Weight Stack Adatper Pin Pad		4pcs
30	Ball Shape Cover Diameter 50		4pcs
31	Pulley $\Phi 60$		14pcs

32	Pulley $\Phi 70$		4pcs
33	Pulley $\Phi 90$		2pcs
34	Hex Bolt M24 $\times$ 120		4pcs
35	Hex Bolt M24 $\times$ 110		46pcs
36	Nut M24		54pcs
37	Hex Bolt M10 $\times$ 45		16pcs
38	Nut M10		16pcs
39	Hex Bolt M12 $\times$ 30		8pcs
40	Nut M12		8pcs
41	Aluminum Alloy Strap Iso-Handle		2pcs
42	Washer M10		32pcs

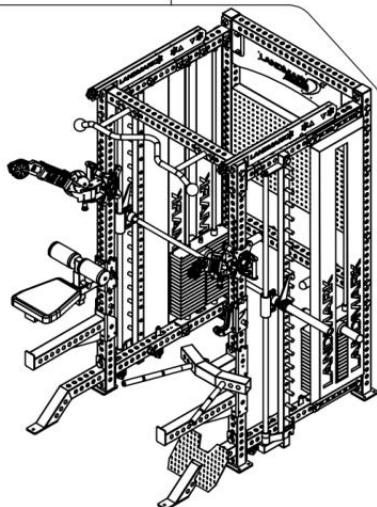
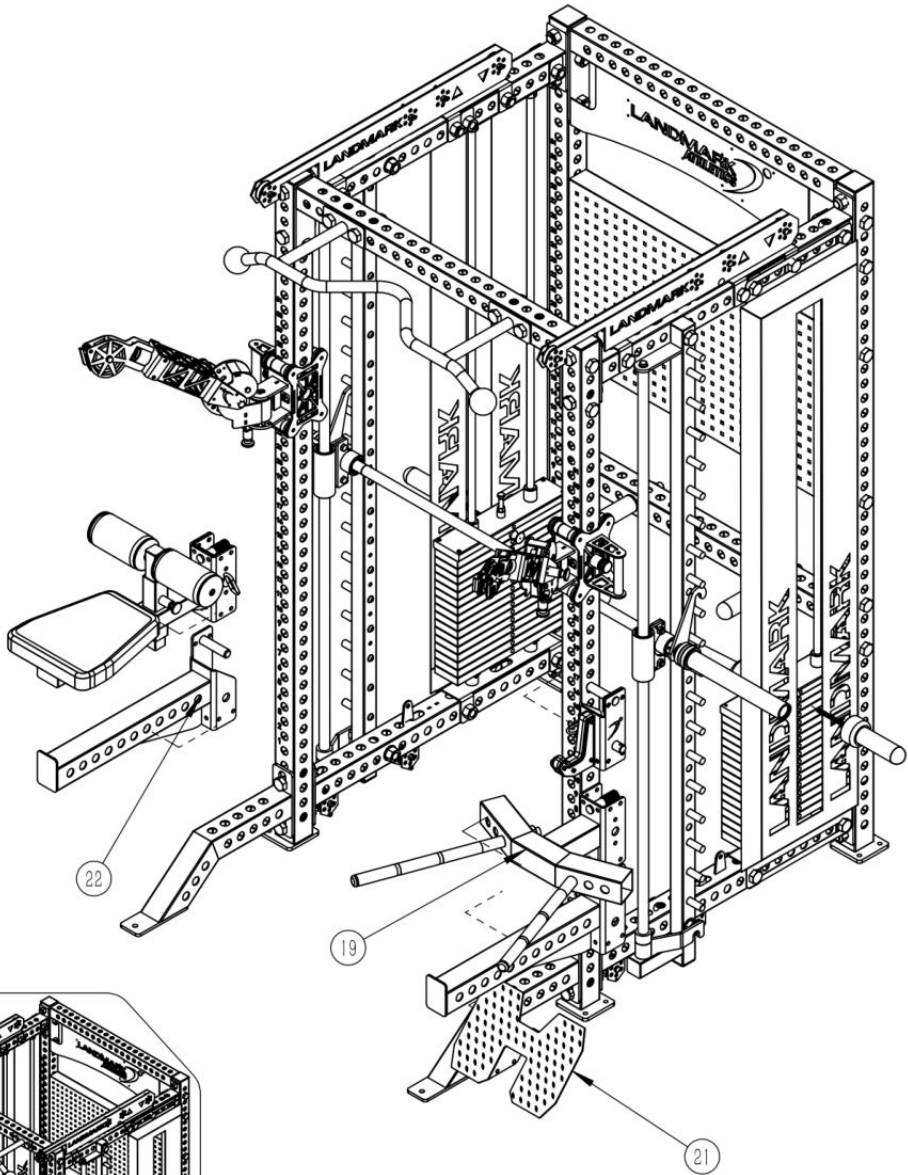
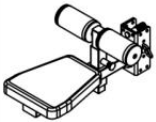
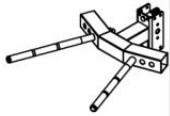
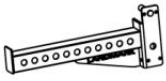
43	Washer M12		4pcs
44	Washer M24		108pcs
45	Hex Bolt M24 × 150		4pcs
46	Smith Bearing Steel Anti-Collision Pad		2pcs
47	Steel Chain		2pcs
48	Pin		6pcs
49	Lat Pulldown Bar		1pcs
50	Straight Bar		1pcs
51	Cable		2pcs

52	EZ Curl Bar		1pcs
53	Double-D Handle		1pcs
54	Tricep Rope		1pcs
55	Add-on Fractional Plate(1.25kg)		2pcs
56	Hex Shank Socket		1pcs

## Step 6

## Assembling Instruction

### Accessories



Install the required accessories subsequently.

Important: Check that all screws are fully tightened before use.